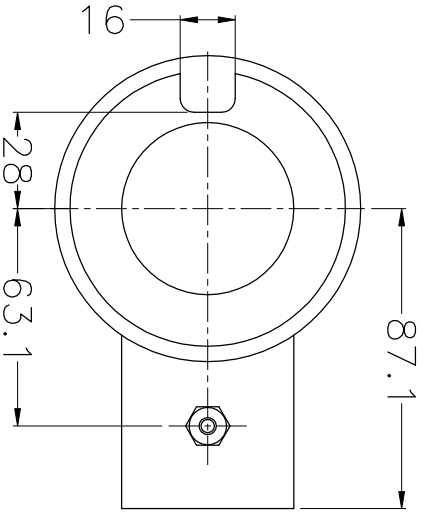
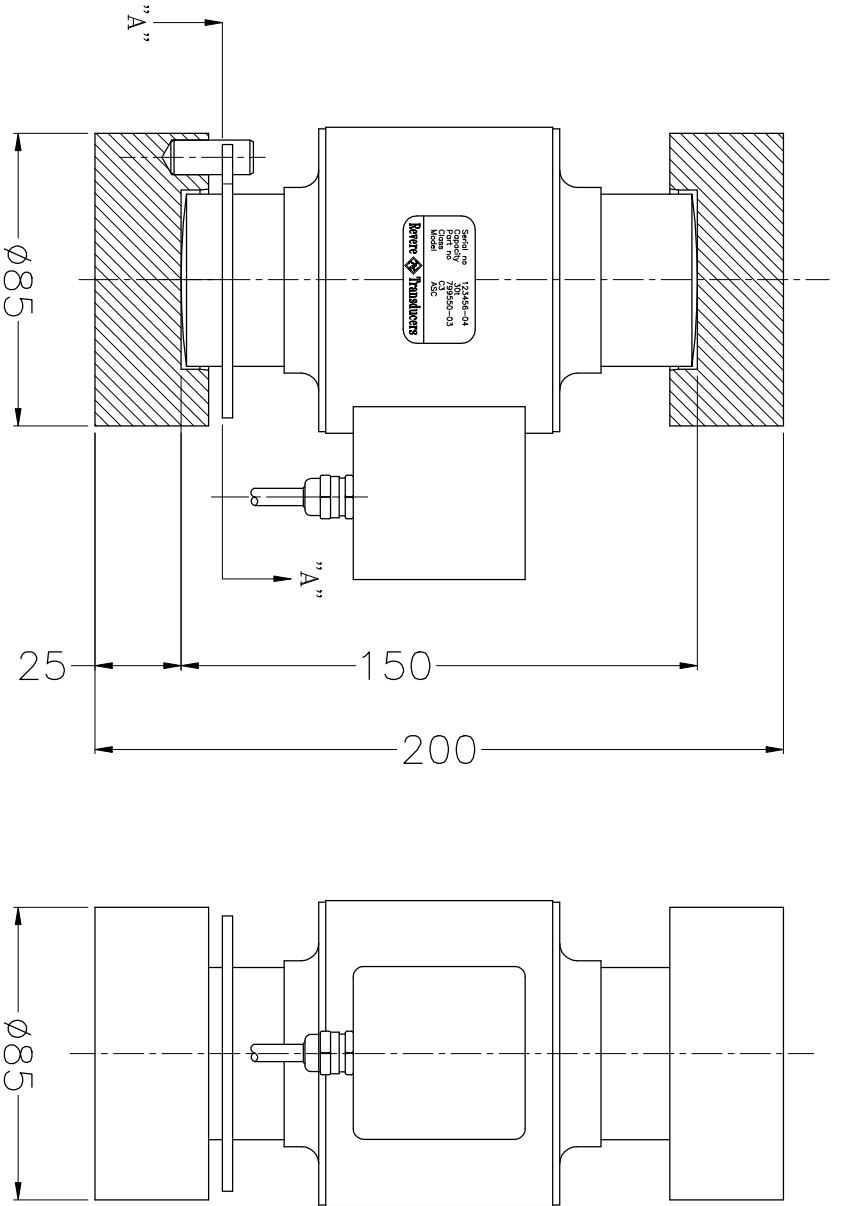


Date	Let	Revision	By	CHK	Approvals
02-04-'02	-	competitor issue	NL	M.S.	
28-01-'03	A	See RTE-164	U.D.	J.F.	
03-11-'03	B	See RTE-178	U.D.	J.F.	
27-02-'04	C	Add 40t & 50t on DWG	U.D.	J.F.	



View "A" - "A"

799863-00	ASC DSC Self Aligning Set 30t, 40t & 50t	Stainless Tool Steel
Partnumber	Description	Material
REVERE TRANSDUCERS EUROPE		
GEN.TOL. ± 0.30 ANGLE ± MATERIAL:		
SCALE 1:1	ROUGHN. <input checked="" type="checkbox"/>	PROL. <input type="checkbox"/>
DRAWN : N. van der Loof FINISH: DATE : 28-03-02		
DRAWING : ASC DSC Self Aligning Set		
30t to 50t	799863C	C SIZE
SHEET: 1 OF 1	Rev	A2

THIS DRAWING SHALL NOT BE REPRODUCED WITHOUT THE WRITTEN PERMISSION OF REVERE TRANSDUCERS EUROPE