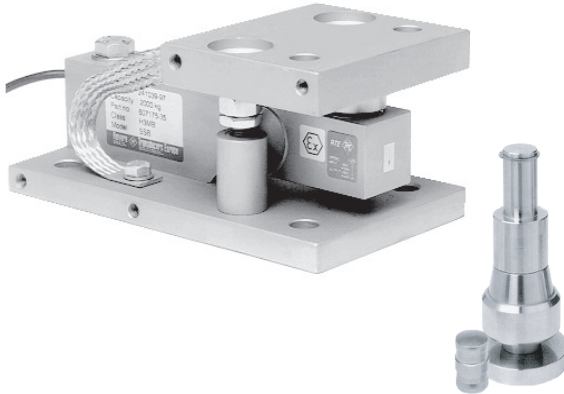


## SSB Self Aligning Accessories



### FEATURES

- Capacities: 500 - 5000kg
- Hardened components at all bearing surfaces
- Rocker pin load introduction
- Stainless steel or nickel plated steel versions available
- Built-in horizontal movement control and lift-off protection
- Load cell (re)placement after installation of the mount

### OPTIONAL FEATURES

- Optional stay rod assembly
- Suitable also for SBC load cells

### DESCRIPTION

The SSB self aligning silo mount, combined with the SSB load cell family, provides weighing assemblies suitable for process control, batch weighing, silo/hopper and belt scale applications.

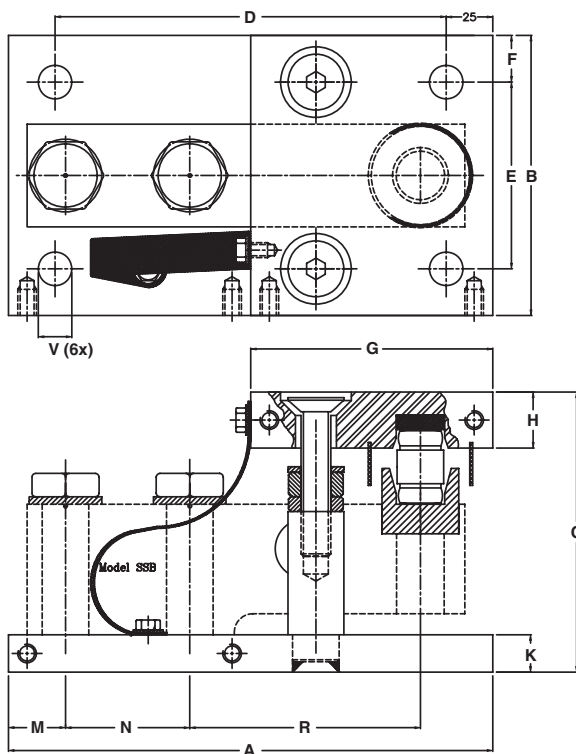
The SSB foot assembly is an ideal solution for medium capacity belt, pallet and platform scales.

The SSB mount and foot are based on a rocker pin design, combining excellent load introduction to the transducer with an overall low profile. Hardened components are used at all load bearing surfaces. The stainless steel construction guarantees long term reliability, even in the most harsh of environments.

### APPLICATIONS

- Process control
- Batch weighing
- Silo/hopper weighing
- Belt scale weighing

### OUTLINE DIMENSIONS in mm

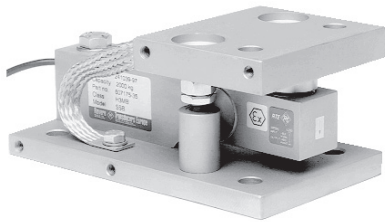


Capacity	0.5 - 2t	5t	10t
A	210	250	260
B	120	150	150
C	120	135	150
D	160	200	210
E	80	100	100
F	20	25	25
G	100	120	130
H	20	20	30
K	15	20	20
M	21.9	30.6	30.6
N	63.5	66.7	66.7
R	98.4	123.8	123.8
V	Ø14	Ø18	Ø18

**ACCESSORIES**

**Self Aligning Mount**

The SSB mount permits controlled horizontal movement in all directions. The design allows the load cell to be (re)placed after installation of the mount. The critical load introduction area is mechanically protected.



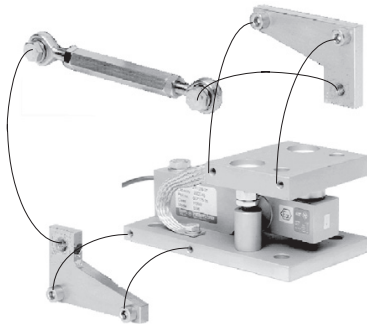
**Non Adjustable Foot**

The non-adjustable foot carries the same specification and features as the height adjustable version, while providing an even lower overall profile.



**Stay Rod Assembly**

If major load movement is anticipated stay rods should be used to restrain a platform or vessel. The SSB stay rod assembly can be bolted to the mount prior to, or after its installation.



**Height Adjustable Foot**

The stainless steel foot, which has 5mm of height adjustment, provides excellent load introduction to the load cell. The foot allows flexibility in platform design without compromising overall system performance.



**FURTHER INFORMATION**

		Height, assembly + SSB (0.5 2t)		Height, assembly + SSB (5t)	
<b>Self Aligning Mount</b>	mm	95		135	
<b>Height Adj. Foot</b>	mm	80+5		141+7	
<b>Non Adj. Foot</b>	mm	75		117	
Mount / Foot	Assembly Guidelines	Outline drawing (0.5-2t)		Outline drawing (5t)	
		Stainless steel	Nickel plated	Stainless steel	Nickel plated
<b>Self Aligning Mount</b>	AG 10/06-108/2	499046-10	499046-00	499047-10	499047-00
<b>Stay Rod Assembly</b>	AG 09/06-201/02	499063-10	499063-00	499064-10	499064-00
<b>Height Adj. Foot</b>		499079		499080	
<b>Non Adj. Foot</b>		499077		499078	

## Disclaimer

All product specifications and data are subject to change without notice.

Vishay Precision Group, Inc., its affiliates, agents, and employees, and all persons acting on its or their behalf (collectively, "Vishay Precision Group"), disclaim any and all liability for any errors, inaccuracies or incompleteness contained herein or in any other disclosure relating to any product.

Vishay Precision Group disclaims any and all liability arising out of the use or application of any product described herein or of any information provided herein to the maximum extent permitted by law. The product specifications do not expand or otherwise modify Vishay Precision Group's terms and conditions of purchase, including but not limited to the warranty expressed therein, which apply to these products.

No license, express or implied, by estoppel or otherwise, to any intellectual property rights is granted by this document or by any conduct of Vishay Precision Group.

The products shown herein are not designed for use in medical, life-saving, or life-sustaining applications unless otherwise expressly indicated. Customers using or selling Vishay Precision Group products not expressly indicated for use in such applications do so entirely at their own risk and agree to fully indemnify Vishay Precision Group for any damages arising or resulting from such use or sale. Please contact authorized Vishay Precision Group personnel to obtain written terms and conditions regarding products designed for such applications.

Product names and markings noted herein may be trademarks of their respective owners.